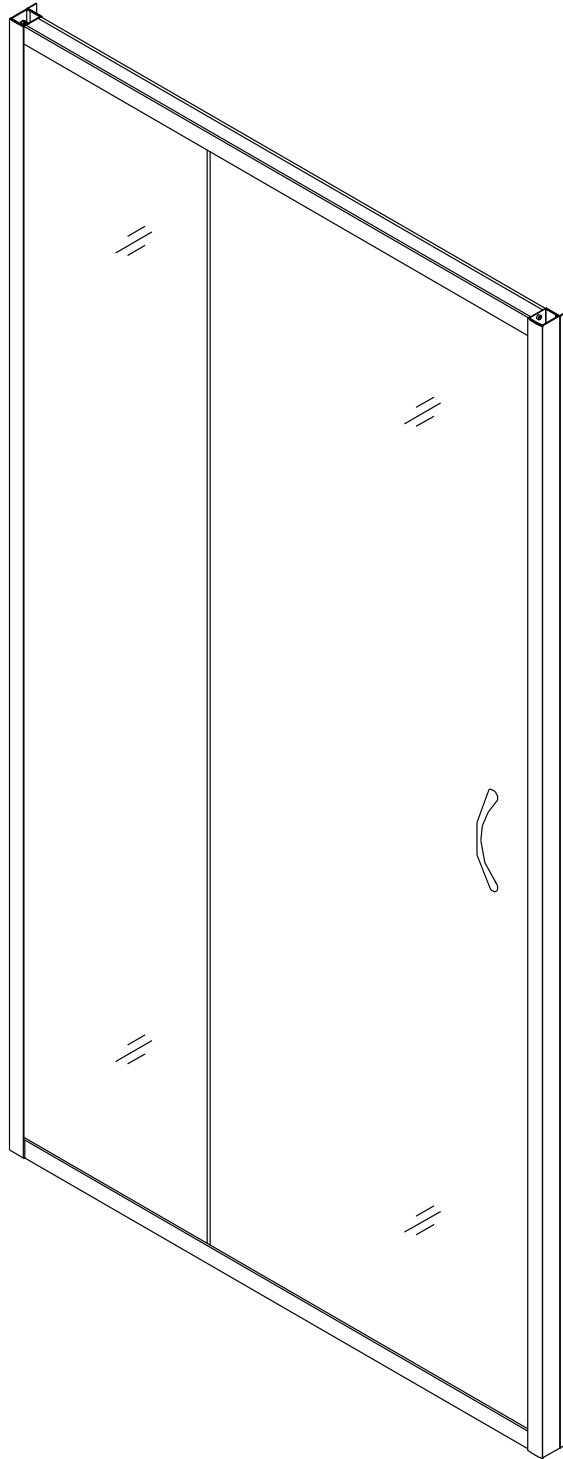


# Shower Door Installation Manual

## IMPORTANT

Please read carefully the following instructions before installing your shower enclosure. If you have any questions on this shower enclosure installation - please call your local dealer.

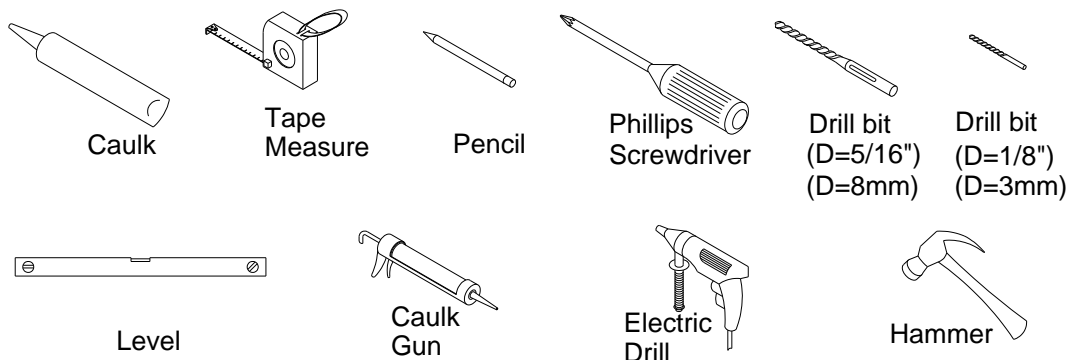


Our product may have changes without prior notice

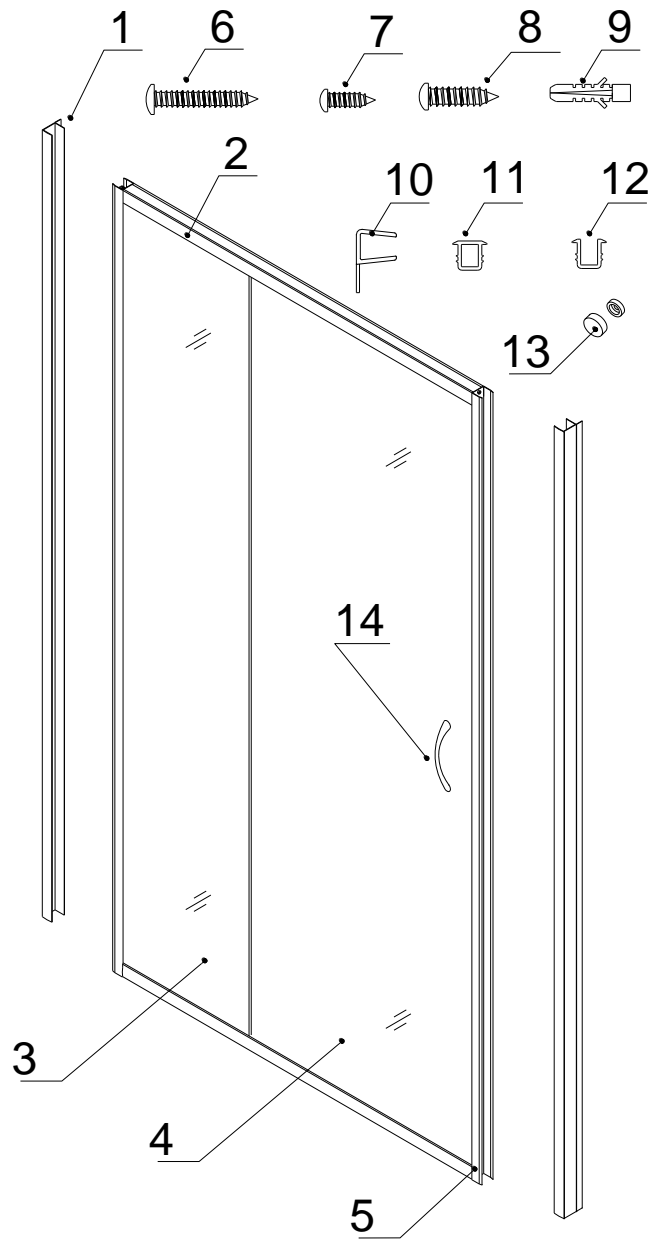
## Preparation

1. After opening all the boxes, read this introduction carefully, verify that all packed parts are complete by cross checking all the components against the "Detailed Diagram of Shower Enclosure Components". Examine for shipping damage. If the unit has been damaged or you have any other questions - please contact your local distributor.
2. Please note that you should consult your local building codes on questions on installation compliance standards. Building and plumbing codes vary by country and location, your local dealers or distributors are not responsible for code compliance standards for your project.
3. Use a competent and licensed (if required by local code) plumber for all plumbing installation.
4. Please insure that prior to the installation the floor is leveled and solid and will be able to support the total weight of the unit and its occupant. Also make sure the walls are at right angles. While some adjustment of the glass is possible, improper angle of the side walls will result in a serious problem for your installation. Please, note that some adjustments and drilling might be necessary during the installation process.

## Tools Required



## Detailed Diagram of Enclosure Components

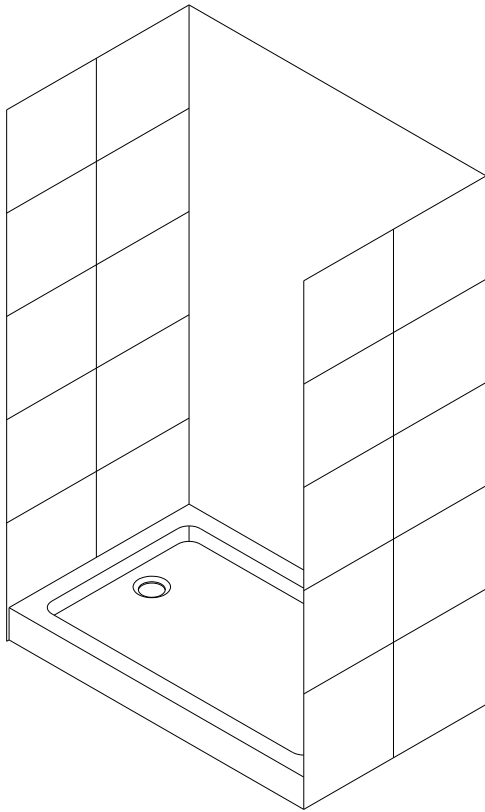


### Packing List

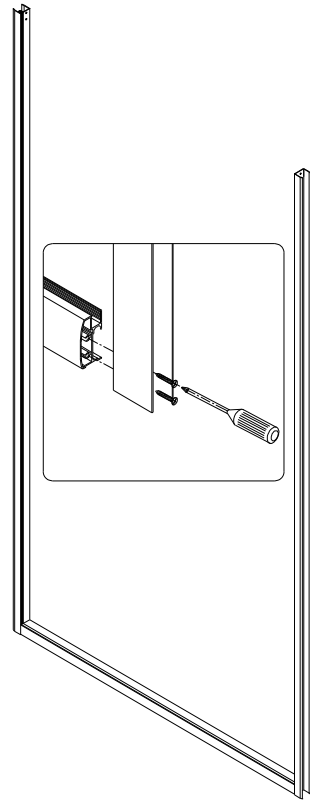
01	Wall profile	2pcs	08	Round head screw ST4.2x25	4pcs
02	Guide Rail	2pcs	09	Wall anchor	8pcs
03	Stationary glass panel	1pc	10	Flanged anti-water strip	3pcs
04	Glass Door	1pc	11	Article decoration	3pcs
05	Glass profile	2pc	12	U-strip	1pc
06	Big head screw ST4.2x40	4pcs	13	Decorative cover	9pcs
07	Round head screw ST4.2x10	12pcs	14	Handle	1pc

## Shower Door Installation

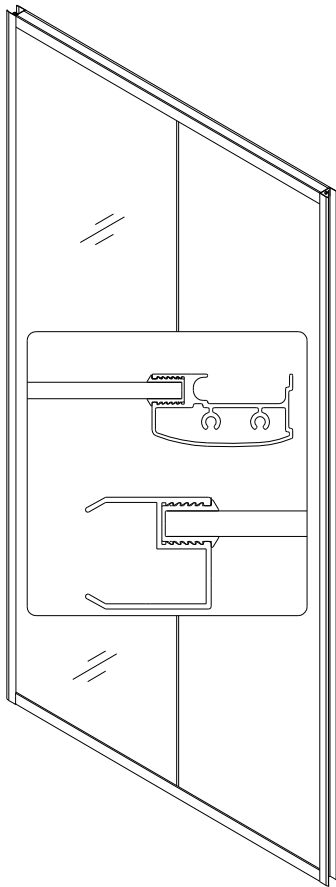
1. Install the shower tray or stone base according to the customer's actual condition. See Fig 1 for details.
2. Secure bottom **Guide rail (02)** and glass profile with **Round head screws ST4.2x25 (08)**. See Fig 2 for details. Repeat the same for upper **Guide rail (02)**.
3. Push the **Stationary glass panel (03)** into **Glass profile (05)** groove, and **guide rails (02)** with **U-strip (12)** in between. See Fig 3 for details.
4. Snap the flanged Stationary Glass into the **Wall profiles (01)**. See Fig 4 & 5 for details.
5. Carry the assembled unit on the top of tray, bath tub or stone base (depending on your installation); push it against wall. You can adjust position of the shower by pulling it partially out of the wall profile. Now adjust one of wall profiles vertically using level and mark by pencil. Using help to hold this profile in the right position, level another profile and mark the screw holes on the aluminum **wall profile (01)**; Gently move the assembled unit on the side, and then drill through the pre-marked holes together with the **Wall anchor (09)**, fastening by the **Big head screw ST4.2x40 (06)**. See Fig 6&7 for details.
6. Your unit can be shipped to you with the **Wheel assemblies** installed on the doors. If not, please refer to diagram (Fig 8) how to install it. Attach the top and bottom wheels to the glass doors. The wheel that goes on the top has an adjustable screw and nut to adjust the door level. Note that the lock nut of upper wheel should face up. The bottom wheel has a press button to fix the wheel on the bottom guide rail; that button should face up. Slide the **Flanged anti-water strip (10)** on the long (vertical) side of the **Glass door (4)** and the **Stationary glass panel (03)**. See Fig 9 for details.
7. Place the **Glass door (4)** on the guide rails. Install the **Handle (14)** on the glass door. And insert the **Article Decoration (13)** to the profiles. See Fig 10 for details.
8. Drill on the profiles according to the adjusted position together and fix with the **Round head screw ST4.2x10 (07)** and the **Decorative Covers (13)**, so as to fasten the door well. See Fig 11 for details.
9. Apply the mild silicon caulk on the connection between the shower door and the tray, and between the shower door and the wall. See Fig 12 for details.



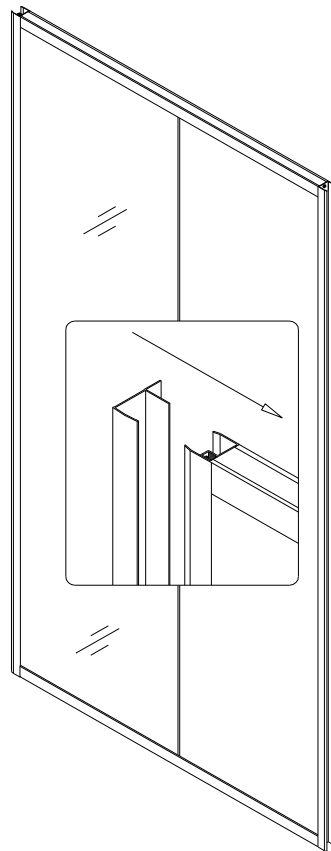
**Fig1**



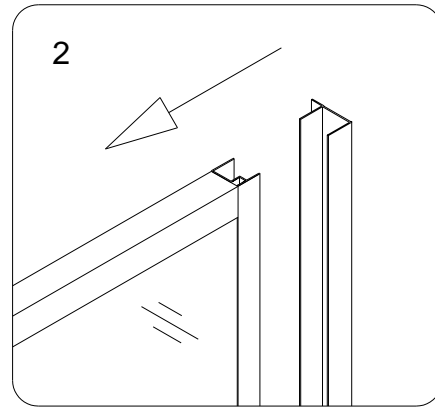
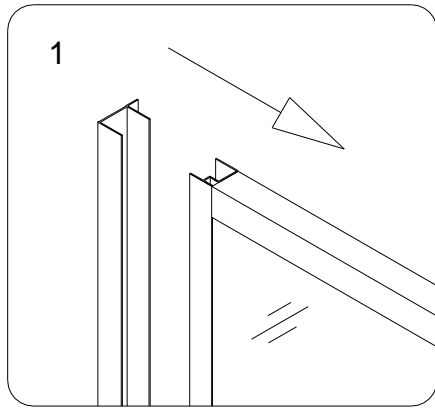
**Fig2**



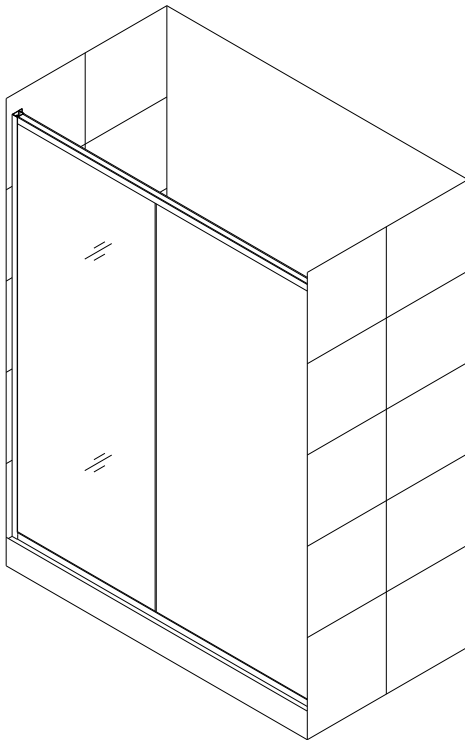
**Fig3**



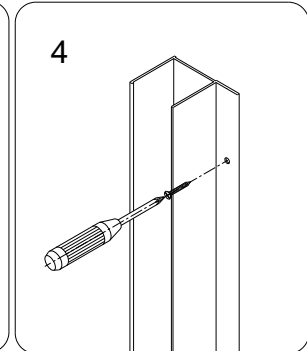
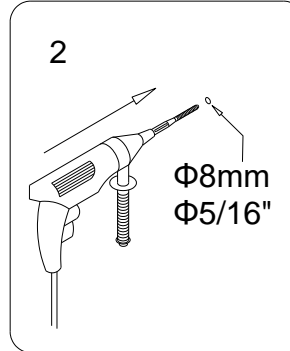
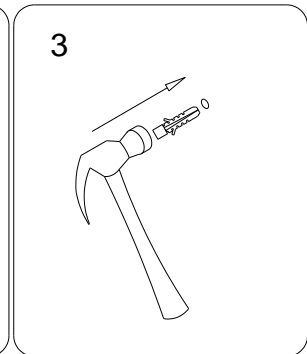
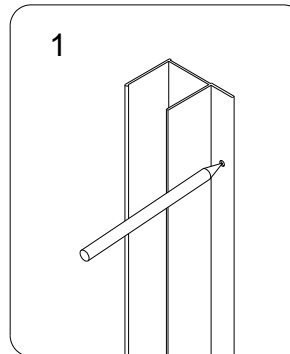
**Fig4**



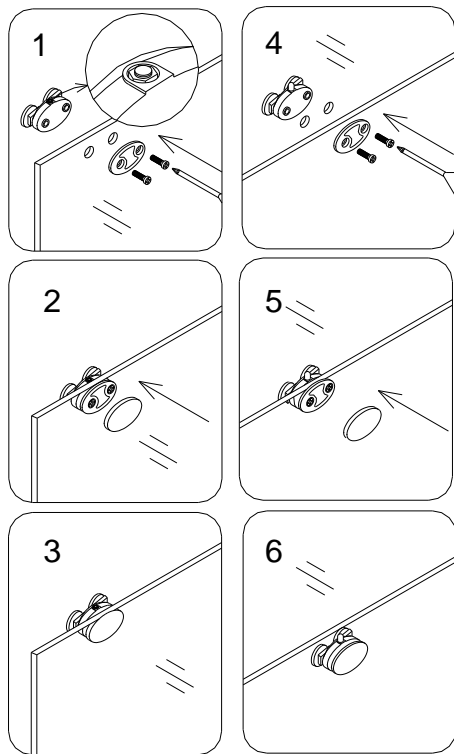
**Fig 5**



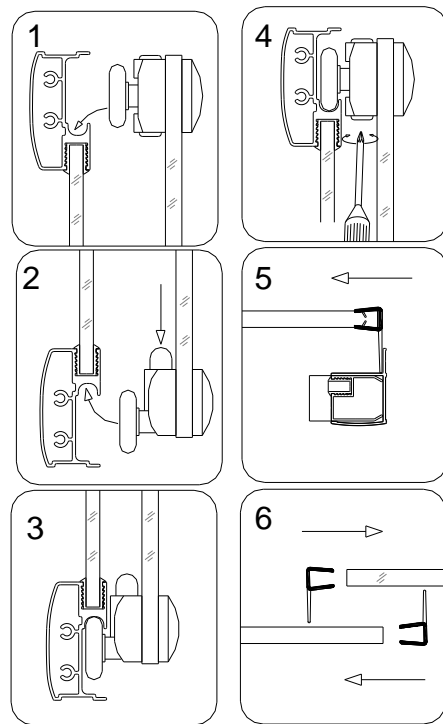
**Fig 6**



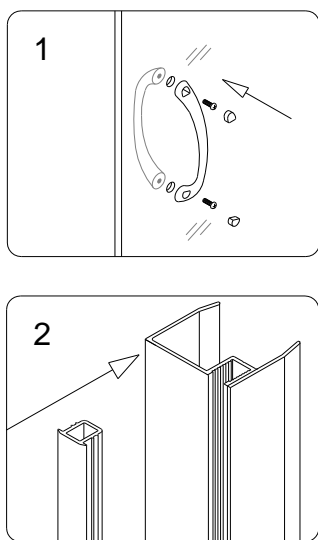
**Fig 7**



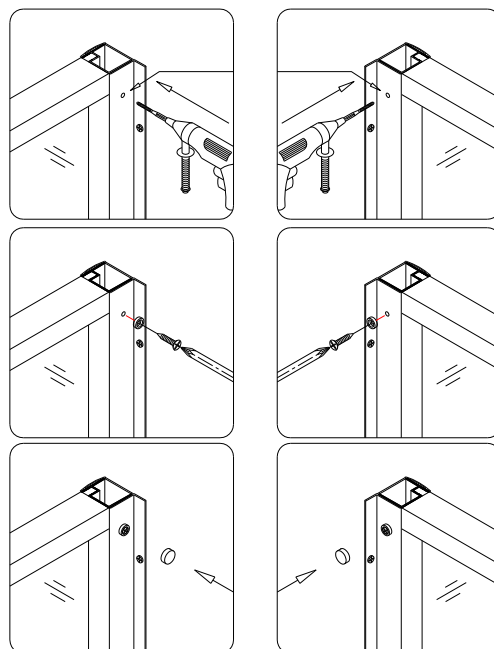
**Fig 8**



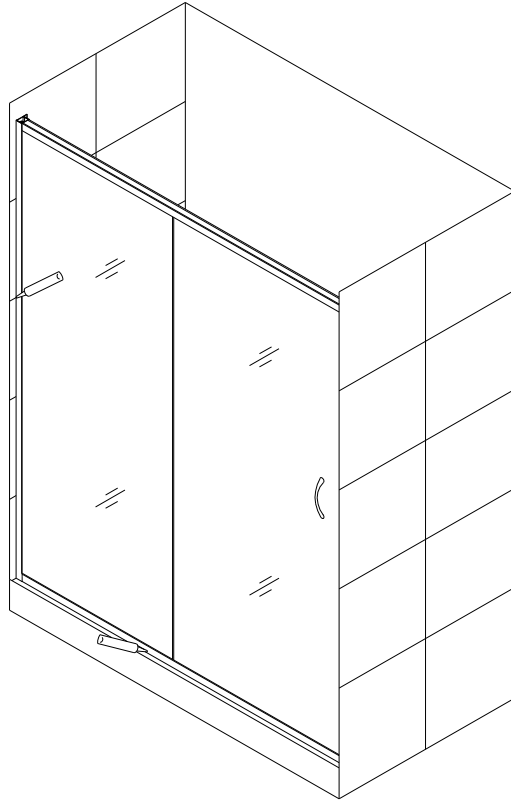
**Fig 9**



**Fig 10**



**Fig 11**



**Fig 12**

## **Product Maintenance**

1. Tempered glass can be cleaned with nonabrasive bathroom cleaner or any glass cleaner you use elsewhere in your home. Rinse off any glass cleaner that gets on the aluminum as soon as possible to avoid damage to the anodized surface. Avoid striking it with any sharp or hard objects. Such damage can cause either immediate or delayed breakage of tempered glass.
2. The aluminum in your shower door is durable and resistant to water damage. It is advisable, but not necessary to wipe it with your towel after your shower. Clean it as often as needed to keep the buildup off. Never use any type of abrasive cleaner. Use only a soft damp cloth and nonabrasive bathroom cleaners